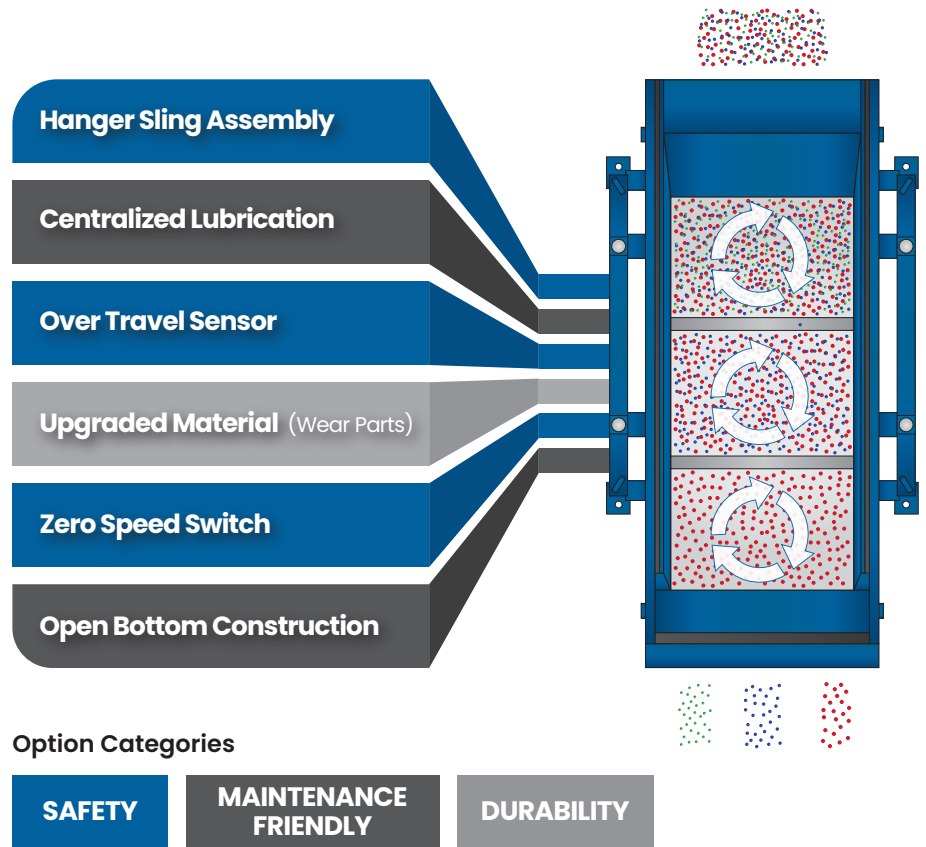


We offer several enhanced options for our machines...

While all of our machines have been carefully designed to suit your requirements, we understand that every company and industry is different and in some instances you may require additional functionality from your chosen machine.

Therefore, we have introduced a range of upgrades and additional options to provide you with a more customized solution should you require it.



▶ Hanger Sling Assembly **SAFETY**

Additional Support Option available to ensure no catastrophic damage to your equipment in the event of double hanger failures.

▶ Centralized Lubrication System **MAINTENANCE FRIENDLY**

System designed to allow for greasing of the U-Joints by an operator without requiring a machine shut down period.

▶ Over Travel Sensor **SAFETY**

To detect when equipment is traveling outside the programmed range of motion and implement machine shutdown.

▶ Upgraded Material for Wear Parts **DURABILITY**

A wide range of material upgrades can be provided to ensure your common wear components have a longer life span.

▶ Zero Speed Switch **SAFETY**

To detect when the machine has its regular operation disrupted or has reached a zero speed state.

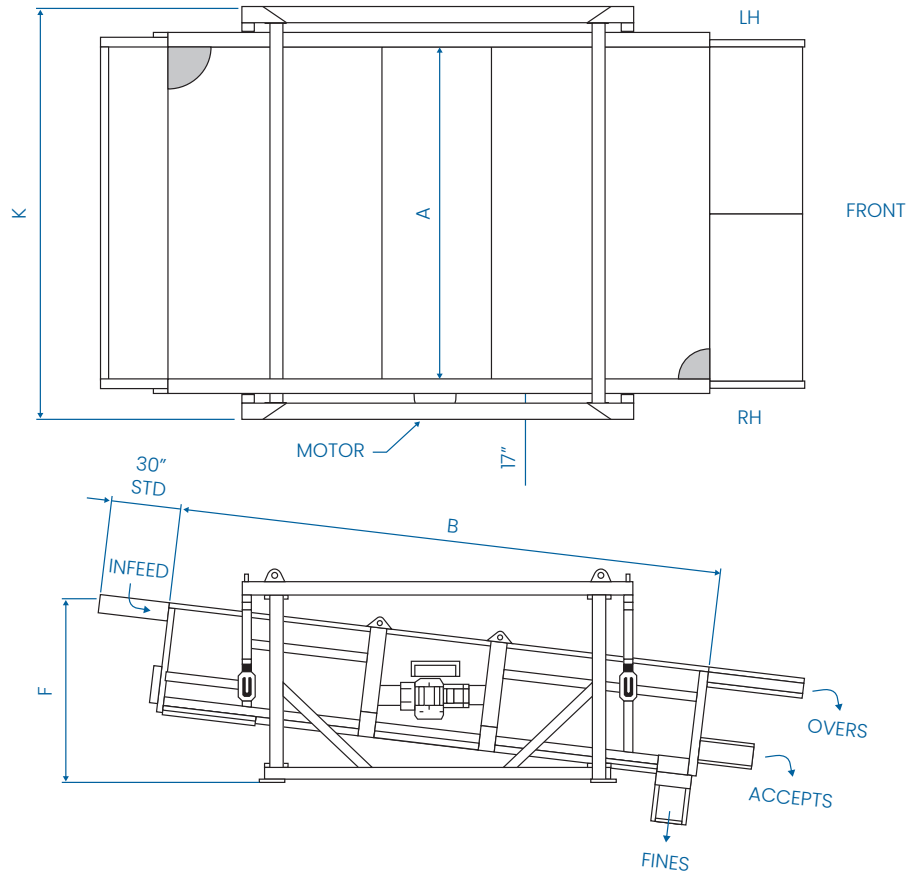
▶ Open Bottom Construction **MAINTENANCE FRIENDLY**

Elimination of fines pan to eradicate blinding of fines material that can freeze or bond to metal in changing weather conditions.

Installation Options:

- ▶ Suspended Construction Option
- ▶ Sub-base Stand for Installations
- ▶ Support Stand





| MODEL | | | | | | | | | | | |
|--------------|-------------------------|------------------------|------------|------------|--------|--------|--------|--------|-------------|-------------|--|
| A x B | Area [ft ²] | Area [m ²] | Power [HP] | Power [kW] | F [in] | F [cm] | K [in] | K [cm] | Weight [lb] | Weight [kg] | |
| 3' x 8' | 24 | 2.23 | 5 | 3.7 | 59 | 150 | 64 | 163 | 3,500 | 1,588 | |
| 3' x 10' | 30 | 2.79 | 5 | 3.7 | 61 | 155 | 64 | 163 | 3,700 | 1,678 | |
| 4' x 8' | 32 | 2.97 | 5 | 3.7 | 59 | 150 | 76 | 193 | 4,000 | 1,814 | |
| 4' x 10' | 40 | 3.72 | 6 | 4.5 | 61 | 155 | 76 | 193 | 4,200 | 1,905 | |
| 4' x 12' | 48 | 4.46 | 5 | 3.7 | 62 | 157 | 76 | 193 | 4,600 | 2,087 | |
| 5' x 10' | 50 | 4.65 | 5 | 3.7 | 64 | 163 | 92 | 234 | 5,200 | 2,359 | |
| 5' x 12' | 60 | 5.57 | 5 | 3.7 | 67 | 170 | 92 | 234 | 5,900 | 2,676 | |
| 6' x 10' | 60 | 5.57 | 5 | 3.7 | 64 | 163 | 104 | 264 | 6,200 | 2,812 | |
| 6' x 12' | 72 | 6.69 | 5 | 3.7 | 67 | 170 | 104 | 264 | 6,600 | 2,994 | |
| 6' x 14' | 84 | 7.80 | 5 | 3.7 | 70 | 178 | 104 | 264 | 6,900 | 3,130 | |
| 6' x 16' | 96 | 8.92 | 7.5 | 5.6 | 73 | 185 | 104 | 264 | 7,300 | 3,311 | |
| 7' x 10' | 70 | 6.50 | 5 | 3.7 | 64 | 163 | 116 | 295 | 6,700 | 3,039 | |
| 7' x 12' | 84 | 7.80 | 7.5 | 5.6 | 67 | 170 | 116 | 295 | 6,900 | 3,130 | |
| 7' x 14' | 98 | 9.10 | 7.5 | 5.6 | 70 | 178 | 116 | 295 | 7,400 | 3,357 | |
| 7' x 16' | 112 | 10.41 | 7.5 | 5.6 | 73 | 185 | 116 | 295 | 7,900 | 3,583 | |
| 8' x 10' | 80 | 7.43 | 7.5 | 5.6 | 64 | 163 | 128 | 325 | 7,000 | 3,175 | |
| 8' x 12' | 96 | 8.92 | 7.5 | 5.6 | 71 | 180 | 128 | 325 | 7,500 | 3,402 | |
| 8' x 14' | 112 | 10.41 | 7.5 | 5.6 | 73 | 185 | 128 | 325 | 8,000 | 3,629 | |
| 8' x 16' | 128 | 11.89 | 10 | 7.5 | 77 | 196 | 128 | 325 | 8,300 | 3,765 | |
| 8' x 18' | 144 | 13.38 | 10 | 7.5 | 79 | 201 | 128 | 325 | 8,700 | 3,946 | |
| 8' x 20' | 160 | 14.86 | 10 | 7.5 | 81 | 206 | 128 | 325 | 9,200 | 4,173 | |
| 10' x 12' | 120 | 11.15 | 7.5 | 5.6 | 74 | 188 | 156 | 396 | 9,100 | 4,128 | |
| 10' x 14' | 140 | 13.01 | 10 | 7.5 | 79 | 201 | 156 | 396 | 9,500 | 4,309 | |
| 10' x 16' | 160 | 14.86 | 10 | 7.5 | 81 | 206 | 156 | 396 | 9,900 | 4,491 | |
| 10' x 18' | 180 | 16.72 | 10 | 7.5 | 84 | 213 | 156 | 396 | 10,600 | 4,808 | |
| 10' x 20' | 200 | 18.58 | 10 | 7.5 | 85 | 216 | 156 | 396 | 11,100 | 5,035 | |
| 12' x 20' | 240 | 22.30 | 10 | 7.5 | 85 | 216 | 180 | 457 | 13,200 | 5,987 | |
| 13' x 20' | 260 | 24.15 | 15 | 11.2 | 85 | 216 | 192 | 488 | 14,000 | 6,350 | |
| 13' x 20' JB | 260 | 24.15 | 20 | 14.9 | 97 | 246 | 192 | 488 | 15,400 | 6,985 | |